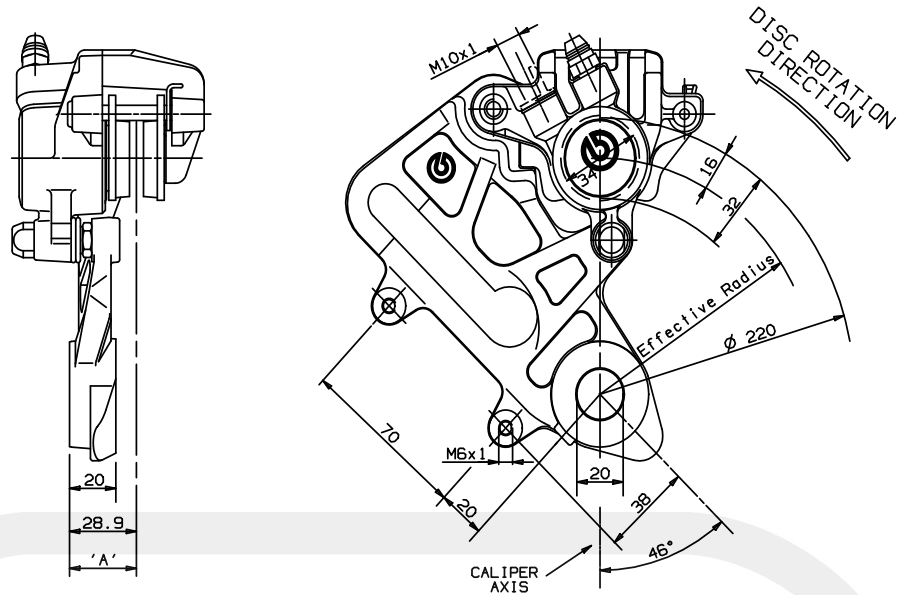


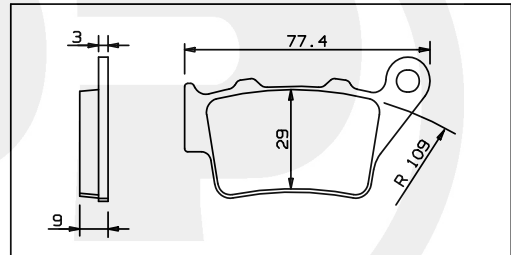
	<h1>FLOATING CALIPER</h1>	PF 34 B	
		22.5550.53 C	



DESCRIPTION

Floating caliper with 1 piston.
 Caliper's body slides on one bracket.
 Pads are supported by one pin and one bracket.
 Construction Material: Aluminium Alloy.
 Operating fluid: brake fluid DOT4.
 N.B.: drawing shows left side caliper.

PADS SHAPE AND DIMENSIONS



TECHNICAL CHARACTERISTICS

Pistons number and diameter:	1 34mm	Average pad surface (1 pad):	14.6 cm ²
MAX working pressure:	70bar	Weight (with not sintered pads):	0.915 Kg
A) Disc position (TOLERANCE):	±0.6 mm		
Usable disc diameter:	220 mm		

CONFIGURATION

CODE CALIPER / CHARACT.	PADS FRICTION MATERIAL	BODY COLOR	BRACKET COLOR	MOUNT. SIDE	USABLE DISCS THICKNESS	BRAKE FLUID FOR PADS WEAR
22.5550.53	FERIT I/D 450 FF	GOLD	NATURAL	SX	4.5 mm	10.35 cm ³

AVAILABLE SPARE PARTS

CODE CALIPER / SPARE PARTS	PADS	BLEEDER SCREW	DUST COVER	BOOTS	PIN/RETAINER	SPRING/STEEL CLIP
22.5550.53	107.5552.10	105.3246.11	105.1502.20	122.4746.14	122.5089.23	120.4683.22

Indicating informations subject to modification.
 For further specifications contact Technical Section.

LAST UPDATE: 13/05/1996